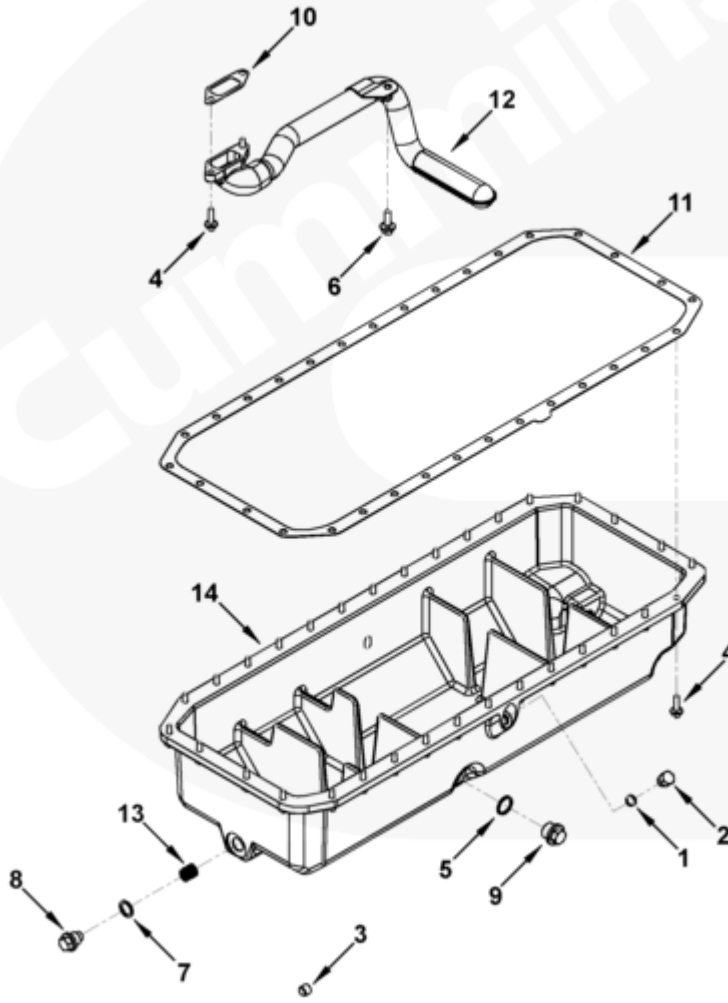




Parts Catalog - Option Detail

Electronic Parts Catalog - Option Detail				
Option	Group	Graphic	Film Card	Date
OP9464	07.01	op958gl	T	25-MAR-05
Engines	4B3.9, 6A3.4, 6B5.9, B GAS INTERNATIONAL CM556, B4.5, B4.5 CM2350 B129B, B4.5 CM2350 B146C, B4.5 CM2350 B147B, B4.5 RGT, B4.5S, B5.9 G, B5.9 GAS PLUS CM556, B5.9 LPG, B5.9 LPG PLUS CM556, B6.7 CM2350 B121B, B6.7 CM2350 B135B, B6.7 CM2350 B136C, B6.7 CM2350 B148B, B6.7 G CMOH6.0 B125, B6.7N CM2380 B150B, B6.7S, F3.8 CM2350 F120B, F3.8 CM2350 F128C, F3.8 CM2350 F132B, F3.8 F102, G3.9, G5.9, G5.9 CM558, ISB (CHRYSLER), ISB CM2150, ISB CM2150 E, ISB CM550, ISB CM850, ISB/ISD4.5 CM2150 B119, ISB/ISD4.5 CM2150 SN, ISB/ISD6.7 CM2150 B120, ISB/ISD6.7 CM2150 SN, ISB/ISD6.7 CM2880 B126, ISB3.9 CM2220 B107, ISB4.5 CM2150, ISB5.9G CM2180, ISB6.7 2010 DCX PICKUP, ISB6.7 2013 DCX CHASSIS CAB, ISB6.7 CM2150 SQ, ISB6.7 CM2250, ISB6.7 CM2350 B101, ISB6.7 CM2350 B103, ISB6.7 CM2350 B142, ISB6.7 CM2670 B153B, ISB6.7 G CM2180 B118, ISBE CM2150, ISBE CM800, ISBE2/ISBE3 CM850, ISBE4 CM850, ISD4.5 CM2150, ISD6.7 CM2880 D101, ISF2.8 CM2220, ISF2.8 CM2220 AN, ISF2.8 CM2220 EC, ISF2.8 CM2220 ECF2, ISF2.8 CM2220 F101, ISF2.8 CM2220 F117, ISF2.8 CM2220 F122, ISF2.8 CM2220 F126, ISF2.8 CM2220 F129, ISF2.8 CM2220 IAN, ISF3.8 CM2220, ISF3.8 CM2220 AN, ISF3.8 CM2220 F103, ISF3.8 CM2220 F110, ISF3.8 CM2220 F116, ISF3.8 CM2220 F134B, ISF3.8 CM2220 IAN, ISF3.8 CM2350 F109, ISF4.5 CM2220 F123, ISG11 CM2880 G106, ISG11 CM2880 G108, ISG12 CM2880 G107, ISG12 CM2880 G109, ISG12 G CMOH6.0 G111, QSB3.9 30 CM550, QSB3.9 CM2880 B138, QSB4.5 30 CM550, QSB4.5 CM2150 B108, QSB4.5 CM2250 B131, QSB4.5 CM2250 EC, QSB4.5 CM2350 B106, QSB4.5 CM2350 B122			



op958gl

SMALL | MEDIUM | LARGE

Cart	Ref No	Part Number	Part Description	Required	Remarks
View My Cart					
		OP9464	Oil Pan		Oil Pan...(More)
					Engine Family: "B" Series
					Cylinders: 6 sump location:
					Center oil pan material:
					Aluminum mounting type: Non-
					isolated pan high capacity
					(qt): 15 pan low capacity
					(qt): 13 pan front up
					angularity (deg): TBD pan

					front down angularity (deg):
					TBD pan side to side
					angularity (deg): TBD drain
					size: M18 x 1.5
					Drain Location: Front Face
					Of Pan position from FFOB
					(mm): -106.0 Position
					From CCL (mm): -228.8
					heater boss size: M22 heater
					boss location: Intake side
					position from FFOB (mm):
					-414.0 position From CCL
					(mm): -217.0
					Oil Level Sensor Provision:
					No required block flange
					(mm): 299 x 678 oil pan
					mounting holes: 9.9mm thru
					holes oil pan/block mounting
					holes: 24
					Spacing: Unequal oil
					pan/rear gear housing
					mounting holes: 4
					Spacing: Unequal oil
					pan/front gear cover mounting
					holes: 4
					Spacing: Unequal required
					dipstick calibrations: BFOB-
					full/low at 112 FFOB
					and 4 degrees:

					69.0/78.5 bfob-full/low at
					352 FFOB and 4
					degrees: 51.7/60.9
<input type="checkbox"/>		3040995	Threaded Plug	2	9/16 - 18 UNF
<input type="checkbox"/>	1	3037537	O-Ring Seal	1	
	2	3040809	Threaded Plug	1	
<input type="checkbox"/>	3	3628605	Pipe Plug	1	1/4 - 18.
<input type="checkbox"/>	4	3900631	Hexagon Flange Head Cap Screw	34	M8 X 1.25 X 25.
<input type="checkbox"/>	5	3902425	Sealing Washer	1	M22
<input type="checkbox"/>	6	3902460	Hexagon Flange Head Cap Screw	1	M10 X 1.50 X 25.
<input type="checkbox"/>	7	3920773	Sealing Washer	3	M18
<input type="checkbox"/>	8	3924147	Threaded Plug	3	M18 x 1.50 x 12
<input type="checkbox"/>	9	3924148	Threaded Plug	1	M22 x 1.50 x 14
<input type="checkbox"/>	10	3949562	Flange Gasket	1	
	11	3959797	Oil Pan Gasket	1	
<input type="checkbox"/>	12	3971983	Lubricating Oil Suction Tube	1	
<input type="checkbox"/>		3978465	Oil Pan	1	
<input type="checkbox"/>	13	3348877	Threaded Insert	3	
	14	3970861	Oil Pan	1	